

COLT *Woodsman*
AUTOMATIC PISTOL
MATCH TARGET



INSTRUCTIONS FOR
ASSEMBLY—DISASSEMBLY
CLEANING

INSTRUCTIONS

ASSEMBLY - DISASSEMBLY - CLEANING

Description of the Pistol

ACTION. The action of this pistol is automatic only in the sense that after firing the spent case is extracted from the chamber, and a fresh cartridge is stripped from the magazine and fed into the chamber. The trigger must be pulled to fire each shot. A disconnecting mechanism prevents full-automatic action (like a machine gun) and also prevents firing if the slide is not completely closed.

SAFETY LOCK. The safety lock, when pushed up, locks the slide from moving back and locks the sear in position so that the hammer cannot fall if the trigger is pulled or the pistol is accidentally jarred. This positively prevents the arm from being fired until the safety lock is depressed into the unlocked position.

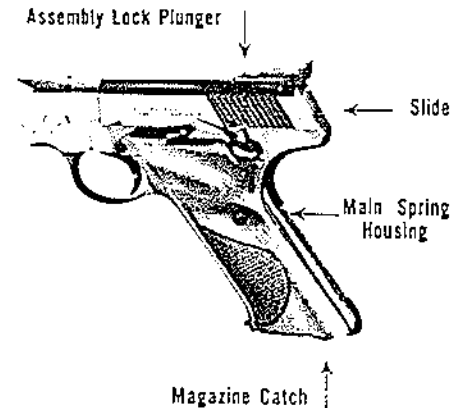
SLIDE STOP. On the left side of the gun, above the stock, is the slide stop. This lever automatically holds the slide open after the last round has been fired. This gives warning that the last cartridge has been expended and simplifies withdrawal of the empty magazine and replacing of the loaded magazine.

Operation of the Pistol

LOADING THE PISTOL. To load the pistol, pull back the slide with the empty magazine in the gun. The slide stop will hold the slide in the "open" position. Remove empty magazine by pressing the magazine catch on the butt to the rear. Load the magazine; correct procedure is as follows: Depress the magazine follower stud just far enough to allow insertion of one cartridge. Repeat this procedure, loading the desired number of cartridges (up to the maximum capacity of 10) one at a time. *DO NOT* retract stud to full-load position and load all 10 cartridges at a time, as this may prevent correct feeding. Insert the loaded magazine, making sure that it is all the way in, and close the magazine catch. Depress the slide stop and the slide will close, stripping a cartridge from the magazine and feeding it into the chamber. The pistol is now ready to fire. **EXERCISE CAUTION!**

FIRING THE PISTOL. Sequence of operation is as follows:

1. Squeeze trigger.
2. Trigger pulls trigger bar forward.
3. Trigger bar moves sear out of notch in hammer.
4. Hammer is actuated by main spring through hammer strut.
5. Hammer strikes firing pin.
6. Firing pin moves forward, indents primer and fires cartridge.
7. Cartridge explosion drives bullet forward, blowback opens slide.
8. Slide moves backward, forcing trigger bar down and disconnecting it from the sear, and carries the empty case back until it hits the ejector and is knocked out from under the extractor. Further backward motion recocks the hammer.
9. Slide strikes main spring housing and stops.
10. Slide moves forward under pressure of the recoil spring, strips a cartridge from the magazine and feeds it into the chamber.
11. When the finger is relaxed from the trigger, the trigger spring moves the trigger forward, and the trigger bar moves up to engage the sear.
12. The pistol is ready to fire a second shot.



MAGAZINE. The magazine has an easily operated thumb-piece which greatly facilitates loading. The magazine is held in the receiver by a magazine catch at the base of the main spring housing. Thumb pressure on this catch releases the magazine.

COLT BLUE FINISH. The beautiful, overall blue finish is another Colt exclusive. Not only does this finish add greatly to the gun's appearance, but it also serves to protect the metal beneath the bluz. An easy wipe with a soft cloth removes fingermarks, dust and oil stains.

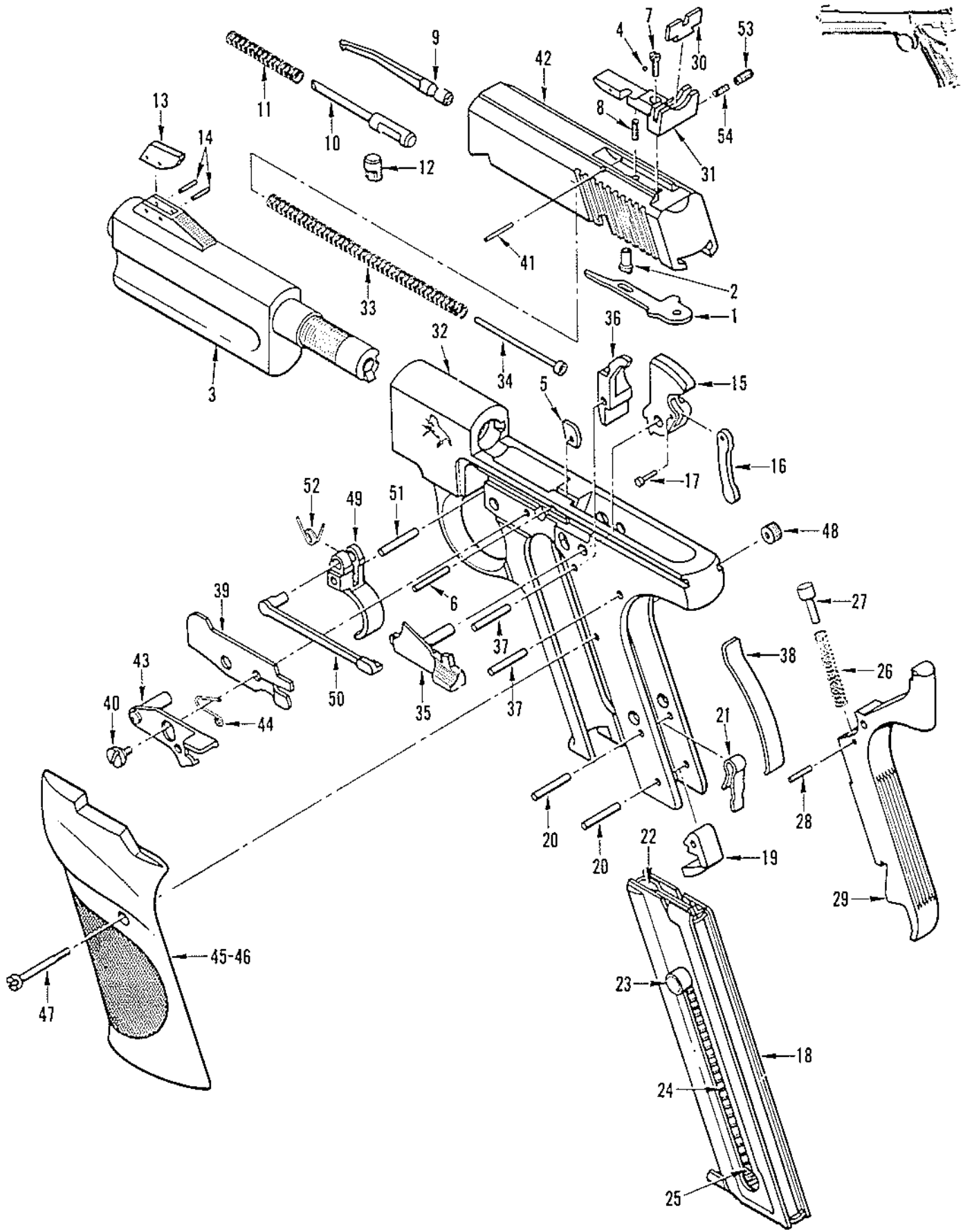
THE COLT ELLIASON REAR SIGHT

Sighting Your Match Target Automatic Pistol

This firearm has been equipped with the Colt-Elliason rear sight, another example of Colt precision engineering and production. Each part of the Sight is carefully machined to extremely close tolerances to assure maximum accuracy. It is recommended that adjustments for other than windage and elevation be made only by experienced persons.

SIGHT ADJUSTMENT: One "click" of the windage screw to the right or clockwise moves the point of impact right, 1/2" at 50 yards. One click of the elevation screw "up" or counter-clockwise moves the point of impact up, 3/8" at 50 yards.

TO REMOVE SIGHT from slide remove elevation screw, then with 1/16 drift pin, drive out the fulcrum pin. Guard against losing elevation springs.



DISASSEMBLY FOR CLEANING.

Make sure the magazine and chamber are empty!

Remove stocks. Press in on upper radius of main spring housing and push out the housing retainer pin, using the stock screw or a drift pin. Housing retainer pin is located on the grip part of the receiver under the left stock and directly below the thumb piece of the safety lock.

Hold the pistol by the barrel in the left hand. Grasp the serrated part of the slide with the thumb and middle finger of the right hand. Pull slide back as far as it will go. With the slide back, press down the assembly lock plunger with the forefinger. Let slide move forward. Pressure of the recoil spring will be released, and the slide will feel "free".

Pull the trigger to release hammer. Retract slide about $\frac{1}{8}$ " to allow sear to drop into half-cock notch. Then press upward and inward on the deep, uppermost curve of the main spring housing with the thumb of the right hand. Main spring housing will snap out at the bottom and can be removed along with the sear spring. Remove slide and magazine. The pistol is now ready for cleaning.

CLEANING THE PISTOL. A brass rod cleaner with revolving handle and detachable brass wire brush, a hardwood rod with shouldered tip, pieces of flannel cut to a size that will fit the bore snugly, and some good cleaning solution (several good preparations are now sold) will complete an outfit with which your pistol can be kept in perfect condition. Dip the wire brush in the cleaning

solution and scrub the bore well; then wipe out with patches on the end of the wood rod until patches come out clean. Then give the bore and all parts a good coating of oil.

For best results, always keep the magazine interior clear of wax, dust, tobacco crumbs, etc. Never leave the pistol in any leather holster for any length of time. Leather absorbs moisture, which will cause the pistol to rust.

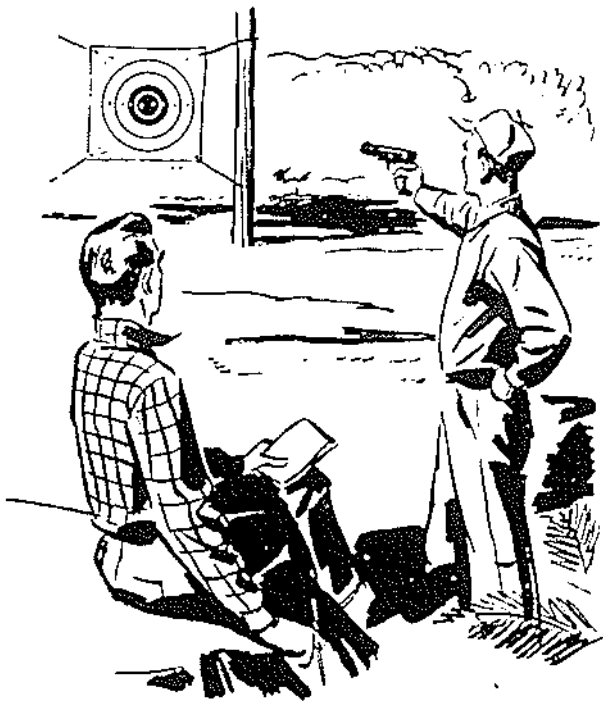
Be very careful in all cleaning not to injure the rifling at the MUZZLE of the pistol. Never reverse direction of a wire brush in the middle of the bore. Always pass it completely through the bore until it emerges from the muzzle end before reversing.

RE-ASSEMBLY AFTER CLEANING. Place slide on receiver and push forward to closed position. Place sear spring in position with lug in slot and top of spring resting on the sear and under the hammer strut. BE SURE sear spring is seated in slot before housing is placed in position; failure to do this will result in a bent sear spring with a loss of tensile strength. Pull trigger to make sure hammer is fully forward. Insert main spring housing into receiver and snap into place. Insert main spring housing retainer pin and replace stocks.

NOTE: If care is not exercised in cleaning the slide, the recoil spring guide is sometimes detached from the end of the assembly lock. This allows the recoil spring to extend and prevents correct re-assembling. If detached, replace by compressing the recoil spring and guide with a small screw driver and replacing the guide onto the end of the assembly lock.

Drawing Number	Part Number	Drawing Number	Part Number	Drawing Number	Part Number		
1	Assembly Lock	50019	18b	Magazine Base Lock	51470		
2	Assembly Lock Plunger	51249	19	Magazine Catch	51480		
3	Barrel Detail Assembly—4½"	50696	20	Magazine Catch Pin and Main Spring Housing Lock Pin—(2)	50015		
3	Barrel Detail Assembly—6"	50096	21	Magazine Catch Spring	51481		
4	Rear Sight Detent Ball—(2 Required)	51195	22	Magazine Follower	51467		
5	Ejector	51549	23	Magazine Follower Stud	51468		
6	Ejector Pin	50032	24	Magazine Spring	50064		
7	Rear Sight Elevating Screw	51682	25	Magazine Spring Guide	50115		
8	Rear Sight Elevating Spring	51194	26	Main Spring	50010		
9	Extractor	50021	27	Main Spring Cap	50011		
10	Firing Pin	50022	28	Main Spring Cap Pin	50012		
11	Firing Pin Spring	50023	29	Main Spring Housing	51483		
12	Firing Pin Stop	50024	30	Rear Sight—Blade ¼"	51648		
13	Front Sight—½" Blade	51368	30	Rear Sight Blade—.100	51229		
13	Front Sight Blade .100	51367	31	Rear Sight Leaf Assembly	51696		
14	Front Sight Blade Pin—(2)	50060	32	Receiver (Main Frame)	Not For Sale		
15	Hammer	50035	33	Recoil Spring	50025		
16	Hammer Strut	50036	34	Recoil Spring Guide	50026		
17	Hammer Strut Pin	50729	35	Safety Lock Detail Assembly	50038		
18	Magazine Assembly	51464	36	Sear	50042		
18a	Magazine Base	51471	37	Sear Pin and Main Spring			
					Retainer Pin—(2)	50015	
					38	Sear Spring	50044
					39	Side Plate	50045
					40	Side Plate Screw	50107
					41	Rear Sight Leaf Pin	51647
					42	Slide Detail Assembly	51490
					43	Slide Stop Detail Assembly	51674
					44	Slide Stop Spring	50109
					45	Stock—Left Hand—Walnut (With Thumb Rest*	51968
					46	Stock—Right Hand—Walnut*	51966
					47	Stock Screw	50088
					48	Stock Screw Nut	50089
					49	Trigger	51479
					50	Trigger Bar	50050
					51	Trigger Pin	50017
					52	Trigger Spring	51222
					53	Rear Sight Windage Screw	51192
					54	Rear Sight Windage Spring	51193
						Eliaison Sight—Not Shown	94092
					55	Rear Sight Detent Spring	51683

*Stocks sold only in pairs, with Stock Screws



All Colt's Revolvers and Automatic Pistols are built to exacting standards of engineering, manufacturing, and inspection, and are warranted to be free from defects in material and workmanship under normal use and service for a period of 12 months. Colt's obligation is limited to repairing or replacing, F.O.B. Hartford, Conn., U.S.A., any part of a Colt's Revolver or Automatic Pistol which Colt's examination discloses to be thus defective.

This warranty is in lieu of all other warranties, expressed or implied. This warranty shall not apply to defects resulting from accidents, alterations, abuse, or misuse. This warranty shall be void if the Colt's Revolver or Automatic Pistol has been altered or repaired outside our factory, or if any part not of Colt's manufacture has been incorporated in the weapon, or if other than factory loaded ammunition is used.



Colt Industries
Firearms Division
150 Huyshope Avenue
Hartford, Conn., U.S.A. 06102