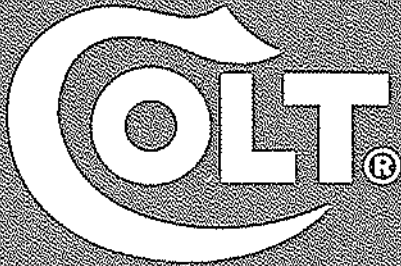


**⚠ WARNING:**

**BEFORE USING THIS FIREARM, READ AND FOLLOW THESE INSTRUCTIONS**

**If there is anything you do not understand, get help from someone qualified in the safe handling of firearms.**



**SAFETY  
AND  
INSTRUCTION  
MANUAL**

# **COLT® COWBOY™ SINGLE ACTION REVOLVER**

**Copyright © 1998 Colt's Manufacturing Company, Inc. All Rights Reserved.  
This instruction manual should always accompany this firearm.  
When you lend, give or sell this firearm, be sure this manual goes with it.**

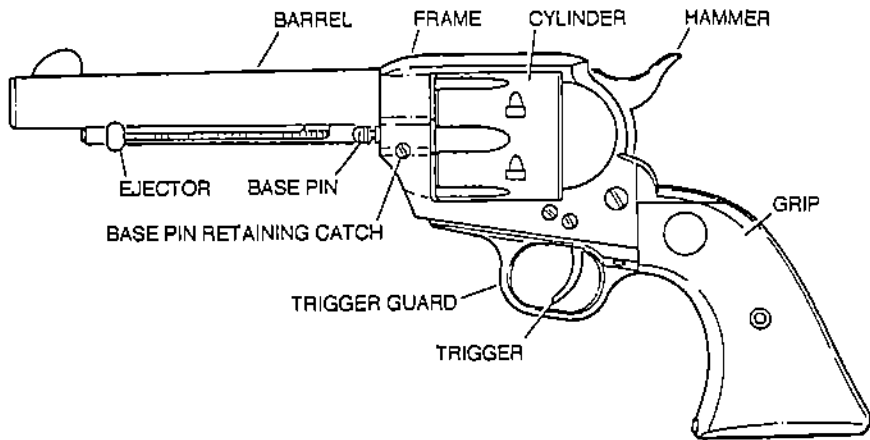


Figure 1—COLT® SINGLE ACTION REVOLVER

SAFETY DEPENDS ON YOU

READ AND UNDERSTAND ALL THE FOLLOWING PRECAUTIONS BEFORE REMOVING THIS FIREARM FROM ITS PACKAGE.

This Colt product is classified by the Alcohol, Tobacco and Firearms Division of the Internal Revenue Service, U.S. Treasury Department, as a firearm or dangerous weapon; It is, therefore, potentially lethal!



**WARNING:** IF THIS FIREARM IS CARELESSLY OR IMPROPERLY HANDLED, UNINTENTIONAL DISCHARGE COULD RESULT AND COULD CAUSE INJURY, DEATH, OR DAMAGE TO PROPERTY.



**CAUTION:** CAREFULLY READ THIS INSTRUCTION MANUAL WHICH GIVES BASIC ADVICE ON THE PROPER HANDLING AND FUNCTIONING OF THIS COLT FIREARM PRIOR TO LOADING AND FIRING. However, your safety and the safety of others (including your family) depends on your mature compliance with that advice, and your adoption, development and constant employment of safe practices.

If unfamiliar with firearms, seek further advice through safe handling courses run by your local gun clubs, NRA approved instructor, or similar qualified organizations.

## **NOTICE**

Colt shall not be responsible for injury, death, or damage to property resulting from either intentional or accidental discharge of this firearm, or from its function when used for purposes or subjected to treatment for which it was not designed. Colt will not honor claims involving this firearm which result from careless or improper handling, unauthorized adjustment or parts replacement, corrosion, neglect, or the use of wrong caliber ammunition, or the use of ammunition other than original high quality commercially manufactured ammunition in good condition, or any combination thereof. Colt will not honor claims involving this firearm for any reason or cause when such claims are made by the second or subsequent owner.

## **IMPORTANT**

Before it left the factory this firearm was tested, carefully inspected, and packaged. Colt cannot control product handling after it leaves the factory; therefore, please examine this firearm carefully at the time of purchase to insure that it is unloaded and undamaged. The dealer will be pleased to assist you in making this examination and endeavor to answer your further questions.

This instruction manual should always accompany this firearm and be transferred with it upon change of ownership.



**CAUTION:** USE ONLY ORIGINAL HIGH QUALITY COMMERCIALLY MANUFACTURED AMMUNITION IN GOOD CONDITION WHICH IS APPROPRIATE TO THE CALIBER OF YOUR REVOLVER — SEE TABLE BELOW.

Revolver Chamber Size	Suitable Ammunition						
	44 Spec.	44-40	45 Coll	357 Mag.	38 Spec.	38 Spec.+P	38-40
44 Special	Yes	No	No	No	No	No	No
44-40	No	Yes	No	No	No	No	No
45 Colt	No	No	Yes	No	No	No	No
357 Mag.	No	No	No	Yes	Yes	Yes	No
38-40	No	No	No	No	No	No	Yes

SAFETY DEPENDS ON YOU

## LIST OF SECTIONS

SECTION	TITLE	PAGE
1	PRECAUTIONS	1
2	Main Features	5
3	Safety Instructions:	6
	Cautions	6
	Safety Features:	13
	Half-Cock Position (for loading)	14
4	Function:	18
	Loading	18
	Carrying Modes	21
	Unloading	21
	Firing	23
5	Maintenance:	27
	Stripping for Cleaning	27
	Assembling after Cleaning	28
	When to Clean	29
	How to Clean	29
	Storage	31
	Servicing and Repair	32
6	Parts Illustration and List	35
7	The Customized Gun	38

<b>Revolver Type</b>	<b>Barrel Lengths</b>	<b>Finishes</b>	<b>Sights</b>
Cowboy Single Action Revolver, 45 Colt, 357 Magnum, 44 Special, 44-40, 38-40	4¾", 5½" 7½" or 12"	Colt Blue (color case hardened frame)	Fixed rear square notch. Fixed front blade.

If you accept the risk of danger from loading this revolver then follow these safety instructions to reduce the risk of accidental discharge resulting in injury, death or damage to property. You may be an experienced safe shooter already familiar with the procedures in this instruction manual, or you may never have handled a gun before but if you decide to load live ammunition into this revolver we urge you to read this entire instruction manual carefully. You must follow the safety instructions for your safety and the safety of others.



**WARNING:** DO NOT CARRY THIS FIREARM WITH A LOADED CHAMBER IN FRONT OF THE HAMMER. THIS WILL MINIMIZE THE RISK OF AN ACCIDENTAL DISCHARGE.



**WARNING:** When you squeeze the trigger, you must expect the gun to fire, and you must take full responsibility for firing it. Your care can avoid accidental discharge, and you will thereby avoid accidental injury and death.

### CAUTIONS



#### GENERAL HANDLING CAUTIONS

1. ALWAYS HANDLE YOUR REVOLVER AS IF IT WERE LOADED so that you never fire it accidentally when you think it is unloaded.
2. NEVER POINT YOUR REVOLVER AT ANYTHING YOU DO NOT INTEND TO SHOOT so that if it fires accidentally, injury, death, or damage to property will be prevented.



**3. NEVER TAKE ANYONE'S: WORD THAT A GUN IS UNLOADED;** check for yourself with fingers off the trigger and gun pointed in a safe direction, so that you never fire the gun accidentally when you think it is unloaded.

**4. ALWAYS KEEP AND CARRY YOUR REVOLVER EMPTY, WITH THE HAMMER IN THE SAFETY POSITION,** except when you intend to shoot, so that your revolver cannot be fired when you do not mean to fire it.

**5. ALWAYS MAKE SURE YOUR REVOLVER IS NOT LOADED, THE HAMMER IS AT HALF-COCK AND LOADING GATE IS OPEN BEFORE LAYING IT DOWN, OR HANDING IT TO ANOTHER PERSON,** so that it cannot be fired when it is unsafe to do so.

**6. NEVER LEAVE REVOLVER COCKED READY TO FIRE.** This condition is extremely dangerous, and revolver could easily be accidentally discharged, causing injury, death, or damage to property.

**7. NEVER LEAVE A LOADED REVOLVER UNATTENDED.** Someone, especially a child, may fire it and cause injury, death, or damage to property.

**8. ALWAYS INSTRUCT CHILDREN TO RESPECT FIREARMS.** If you teach your children to shoot, teach them to treat and use the revolver properly, and always supervise them closely. Always stress safety so that your children will not fire the revolver when it is unsafe to do so.



### **RANGE CAUTIONS**

9. ALWAYS BE SURE YOUR BACKSTOP IS ADEQUATE to stop and contain bullets before beginning target practice so that you do not hit anything outside the range shooting area. THINK! *What will you HIT if you MISS the target?*

10. ALWAYS PUT A KNOWLEDGEABLE AND RESPONSIBLE PERSON IN CHARGE TO MAINTAIN SAFETY CONTROL WHEN A GROUP IS FIRING ON A RANGE. Obey his commands so that discipline is maintained to reduce the likelihood of accidents.

11. ALWAYS CARRY YOUR REVOLVER EMPTY WITH THE LOADING GATE OPEN WHILE ON A RANGE until preparing to fire. Keep it pointing towards the backstop when loading, firing and unloading, to eliminate the risk of injury, death, or damage to property.



### **LOADING/UNLOADING CAUTIONS**

12. ALWAYS BE SURE BARREL BORE AND CYLINDER CHAMBERS ARE CLEAR OF OBSTRUCTIONS. Clean a fouled revolver immediately so that it will function correctly and safely.

13. ALWAYS USE ONLY CLEAN, DRY, ORIGINAL HIGH QUALITY COMMERCIALY MANUFACTURED AMMUNITION IN GOOD CONDITION WHICH IS APPROPRIATE TO THE CALIBER OF YOUR REVOLVER. (See page 4). Gun and ammunition manufacturers design their products within exacting engineering safety limits.

Handloads are sometimes outside those limits and can be so unsafe as to blow up the cylinder and frame and cause injury, death, or damage to property.

14. ALWAYS EXERCISE EXTREME CARE TO KEEP MUZZLE POINTING IN A SAFE DIRECTION, WELL CLEAR OF YOUR BODY, PARTICULARLY WHEN UNLOADING REVOLVERS THAT DO NOT HAVE EJECTOR RODS.



### **SHOOTING CAUTIONS**

15. NEVER DRINK ALCOHOLIC BEVERAGES OR TAKE DRUGS BEFORE OR DURING SHOOTING, as your vision and judgment could be seriously impaired making your gun handling unsafe.

16. ALWAYS SEEK A DOCTOR'S ADVICE IF YOU ARE TAKING MEDICATION, to be sure you are fit to shoot and handle your revolver safely.

17. ALWAYS WEAR AND ENCOURAGE OTHERS TO WEAR EAR PROTECTION WHEN SHOOTING, especially on a range. Without ear protection, the noise from your revolver and other guns close to you, could leave a "ringing" in the ears for some time after firing, while the cumulative long term effect could be permanent hearing loss.

18. ALWAYS WEAR AND ENCOURAGE OTHERS TO WEAR PROTECTIVE SHOOTING GLASSES. Flying particles could damage eyes and cause blindness; but protective shooting glasses should prevent such injury.

**19. ALWAYS KEEP AN EMPTY CHAMBER IN FRONT OF HAMMER WITH HAMMER IN SAFETY POSITION WHEN REVOLVER IS LOADED UNTIL YOU ARE READY TO FIRE.** This will minimize risk of an accidental discharge.

**20. ALWAYS HOLD REVOLVER BY THE GRIP AND KEEP BOTH HANDS WELL CLEAR OF, AND BEHIND THE CYLINDER.** Never hold it near the cylinder as very hot gas and lead particles may be sprayed out around the cylinder...these would injure your hands.

**21. NEVER SQUEEZE THE TRIGGER OR PUT YOUR FINGER IN THE TRIGGER GUARD UNTIL YOU ARE AIMING AT A TARGET AND READY TO SHOOT.** This will prevent you firing the revolver when it is pointing in an unsafe direction.

**22. ALWAYS BE ABSOLUTELY SURE OF YOUR TARGET AND THE AREA BEHIND IT BEFORE YOU SQUEEZE THE TRIGGER.** A bullet could travel through or past your target up to 1½ miles... if in doubt, don't shoot. **THINK!** *What will you HIT if you MISS the target?*

**23. NEVER SHOOT AT A HARD SURFACE SUCH AS ROCK, OR A LIQUID SURFACE SUCH AS WATER.** A bullet may ricochet and travel in any direction to strike you, another person or an object you cannot see, causing injury, death, or damage to property.

**24. NEVER DISCHARGE A FIREARM NEAR FLAMMABLE MATERIAL.** Flame and sparks erupt from the firearm when discharged. They could start a fire or cause flammable liquids and gases to explode.

25. NEVER FIRE YOUR REVOLVER NEAR AN ANIMAL unless It is trained to accept the noise; an animal's startled reaction could injure it or cause an accident.

26. NEVER INDULGE IN "HORSEPLAY" WHILE HOLDING YOUR REVOLVER as it may be accidentally discharged.

27. NEVER WALK, CLIMB OR FOLLOW A COMPANION WITH YOUR REVOLVER COCKED READY TO FIRE, out of its holster, or with the hammer in any position other than in "safety" with an empty chamber in front of the hammer to minimize risk of an accidental discharge. When hunting, hold your revolver so that you can always control the direction of the muzzle.



#### **UNLOADING CAUTION**

28. ALWAYS EXERCISE EXTREME CARE TO KEEP MUZZLE POINTING IN A SAFE DIRECTION, WELL CLEAR OF YOUR BODY.



#### **MALFUNCTION CAUTIONS**

29. FAILURE TO FIRE: ALWAYS HOLD REVOLVER, KEEPING IT POINTED TOWARDS THE TARGET OR A SAFE OPEN AREA AND WAIT 30 SECONDS when revolver fails to fire. If a hangfire (slow ignition) has occurred, round will fire within 30 seconds. If round does not fire, eject round and examine primer in base of misfired round. If firing pin indent on primer is light, misaligned or non-existent, have revolver examined by a competent gunsmith. If firing pin indent on primer appears normal (in comparison with similar previously fired rounds) assume faulty ammunition; segregate misfired round from other live ammunition and empty cases, reload and carry on firing.

**NOTE:** Dispose of misfired rounds in accordance with ammunition manufacturer's instructions.

**30. NEVER USE YOUR REVOLVER IF IT FAILS TO FUNCTION PROPERLY, AND NEVER FORCE A JAMMED ACTION,** as a round may explode causing serious injury, possible death, or severe damage to your revolver.



### **CLEANING AND STORAGE CAUTIONS**

**31. ALWAYS MAKE SURE YOUR REVOLVER IS NOT LOADED BEFORE CLEANING, STORING, TRAVELING, LAYING IT DOWN, OR HANDING IT TO ANOTHER PERSON,** so that it cannot be fired when it is unsafe to do so.

**32. ALWAYS KEEP AND STORE YOUR REVOLVER AND AMMUNITION IN SEPARATE LOCKED RECEPTACLES OUT OF REACH AND SIGHT OF CHILDREN AND UNTRAINED PEOPLE,** to minimize the risk of revolver and ammunition being easily available for loading and firing.



### **GUN ABUSE CAUTIONS**

**33. NEVER "FAN" YOUR REVOLVER. YOU COULD BREAK THE FIRING MECHANISM AND MAKE REVOLVER UNSAFE.** Your accuracy will be reduced and you may hit something other than target aimed at. Altering the single action mechanism for fanning would also make the revolver unsafe; do not make or attempt to make this alteration.

**34. NEVER ABUSE YOUR REVOLVER** by using it for any purpose other than shooting.

**IMPORTANT:** Do not dry fire your Colt Single Action Revolver as repeated dry firing could damage the firing pin. (Dry firing is snapping the hammer on an empty chamber).

**NOTE:** Please note that we have chosen to use the word "SQUEEZE" in this instruction manual instead of "PULL" or "PRESS" when trigger movement is described; this is simply to remind you of the need for a gentle squeezing action to achieve accuracy.

### **SAFETY FEATURES**

The safety features on the Colt single action revolver, when properly employed, can minimize the risk of accidental discharge.

#### **Trigger Guard**

The Trigger Guard is a metal loop around the trigger to protect it from damage and to help prevent accidental discharge.

#### **Hammer Positions**

There are three distinct hammer positions on a Colt Cowboy revolver; two, which are described below, are safety features, while the third, which will be described later, is the COCKED position for firing.



**CAUTION: ALWAYS CARRY YOUR SINGLE ACTION REVOLVER IN THIS FULLY FORWARD POSITION WITH AN EMPTY CHAMBER IN FRONT OF THE HAMMER.**

**SAFETY DEPENDS ON YOU**

Hammer down (or rest) position—with the hammer down and the trigger forward, the transfer bar is not interposed between the hammer and firing pin.



**CAUTION:** DO NOT ATTEMPT TO LOWER THE HAMMER DIRECTLY FROM HALF-COCK OR COCKED POSITIONS unless you release the trigger completely before the hammer reaches position, as soon as the Half-Cock position is cleared.

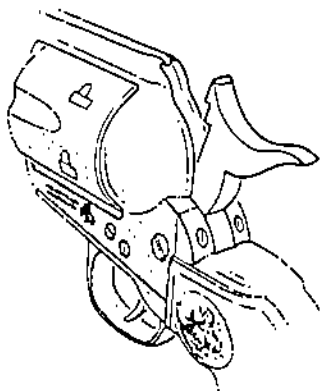


FIGURE 2—HALF-COCK POSITION—EXTERNAL

HALF-COCK (OR LOADING) POSITION—With the hammer in the Half-Cock position the sear end of the trigger engages the Half-Cock notch and the cylinder is free to rotate for loading, unloading,



inspection and further maintenance. See figure 3. Once in this position the trigger cannot be moved unless enough force is applied to break it or the notch.



**CAUTION: NEVER CARRY YOUR REVOLVER IN THE HALF-COCK POSITION AS ACCIDENTAL DISCHARGE MAY BE POSSIBLE IF REVOLVER IS SUBSEQUENTLY DROPPED, MISHANDLED OR MISTREATED.**

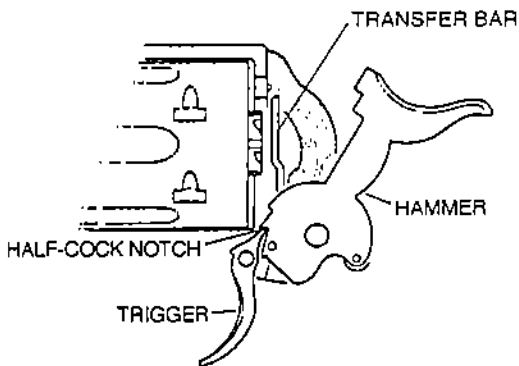


FIGURE 3—HALF-COCK POSITION

To place the hammer in Half-Cock position (DO NOT TOUCH THE TRIGGER) put thumb firmly on the hammer spur and draw hammer back until you hear a "click". Gently ease hammer slightly forward allowing Half-Cock notch to be engaged to hold hammer in Half-Cock position.

**IMPORTANT:** If you draw the hammer too far back another "click" will be heard. This "click" is caused by the bolt engaging the cylinder which will not be free to rotate when hammer is lowered into Half-Cock position. If you find the cylinder locked DO NOT FORCE IT. Simply return the hammer to the fully forward position and draw it back again into the Half-Cock position as described in this manual.

The Half-Cock position serves to arrest the forward movement of the hammer and prevent a round being fired should your thumb accidentally slip from the hammer spur. This safety feature is effective provided YOU DO NOT TOUCH THE TRIGGER.

**IMPORTANT:** The Half-Cock notch mechanism is designed to prevent the trigger from being pulled, so DO NOT FORCE THE TRIGGER WITH HAMMER IN "HALF-COCK" POSITIONS. The mechanism could be damaged by such action, rendering the revolver unsafe.

When you no longer want the hammer at Half-Cock, place thumb firmly on hammer spur and draw hammer back slightly to disengage Half-Cock notch. Insure that empty chamber remains in front of hammer. Squeeze trigger only long enough to allow hammer to move forward and clear Half-Cock notch, then release trigger completely so that you lower hammer, controlling its movement with your thumb, into the fully forward position. Practice this action with an empty revolver to assure proper feel.

**⚠ WARNING:** IF REVOLVER IS DROPPED ON HAMMER, IF REVOLVER IS FANNED, OR IF EXCESSIVE FORCE IS APPLIED TO THE TRIGGER—"HALF-COCK" NOTCH COULD BREAK, CAUSING ACCIDENTAL DISCHARGE WHICH COULD RESULT IN INJURY, DEATH, OR DAMAGE TO PROPERTY. (Note: Normal trigger pull is 5 lbs. maximum—excissive force is 35 lbs. or more).

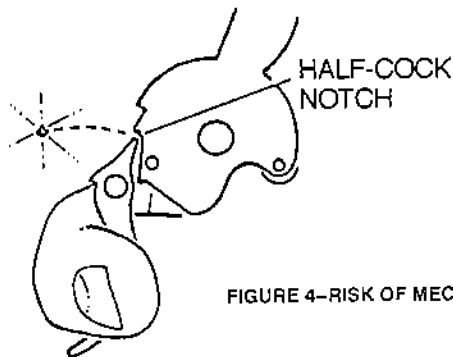


FIGURE 4—RISK OF MECHANISM DAMAGE

**IMPORTANT:** If you suspect excessive force has been applied to the trigger (35 lbs. or more applied on a plane parallel to the barrel) or if revolver has been dropped or has otherwise received a sharp blow which may also damage or break the notch—have the revolver inspected for safe functioning by a competent gunsmith.

Your Colt Single Action revolver will be ready to fire when chambers in the cylinder are loaded with ammunition (see loading instructions), and hammer has been drawn all the way back past Half-Cock position to the Cocked position. The Action of "cocking" lowers cylinder locking bolt, rotates cylinder to carry a round of ammunition into alignment with barrel and hammer, raises cylinder locking bolt to lock cylinder and holds hammer under spring tension. When trigger is squeezed, hammer falls forward causing the energy imparted to the primer ignites it, in turn igniting the main charge which, in burning, rapidly generates extremely high gas pressure to drive the bullet down the barrel. Rifling grooves in the barrel impart stabilizing spin to the bullet so that it will follow a more accurate path to the target.

**LOADING**

**CAUTION:** TO MINIMIZE RISK OF UNINTENTIONAL DAMAGE, LOAD LIVE AMMUNITION INTO REVOLVER ONLY WHEN YOU ARE ABOUT TO SHOOT.

**To Load**

1. **CAUTION:** READ SAFETY INSTRUCTIONS (section 3)—KEEP REVOLVER POINTING IN SAFE DIRECTION WELL CLEAR OF YOUR BODY, AND DO NOT TOUCH THE TRIGGER.

2. Draw hammer back to Half-Cock position (The cylinder is now free to rotate).

3. Open loading gate by swinging it out to the right, exposing back of cylinder and a chamber. Check each of six chambers to ensure they are clean and free from accumulated oil. (Clean if necessary; see cleaning instructions).

4. Use only ammunition recommended on page 3 of this instruction manual as suitable for your revolver. Insert a round of ammunition into chamber.

5. Press round home until it is fully seated.

6. Rotate cylinder clockwise to expose next empty chamber and insert a round as in steps 4 and 5 above; repeat until FIVE rounds are loaded.

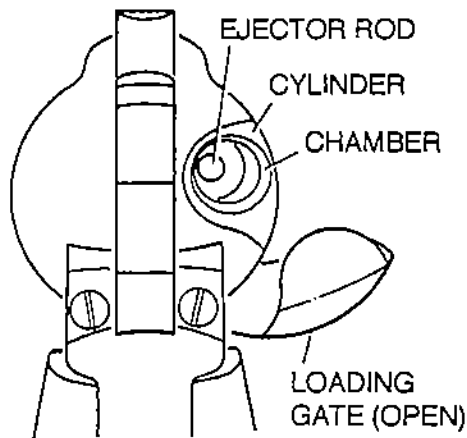


FIGURE 5--LOADING GATE OPEN



**CAUTION:** LEAVE ONE CHAMBER EMPTY FOR SAFE CARRYING.



**CAUTION:** INSURE EMPTY CHAMBER REMAINS IN FRONT OF HAMMER AND IN LINE WITH BARREL, so that if hammer falls forward, firing pin will not strike live round to cause accidental discharge.

7. **KEEP REVOLVER POINTING IN SAFE DIRECTION.** Rotate cylinder until empty chamber is under hammer. With thumb firmly on hammer spur, draw hammer back slightly to disengage the Half-Cock notch. Squeeze the trigger only long enough to allow hammer to move forward and clear Half-Cock notch, then release trigger completely and lower hammer controlling its movement with your thumb, into the fully down position.

**IMPORTANT:** It is sometimes possible that the bolt will not correctly engage cylinder to lock it so that empty chamber may not remain in front of hammer. Check for correct locking by attempting to rotate cylinder gently counterclockwise by hand. If it is already locked, the cylinder will not move. If it was unlocked, you should hear the bolt "click" into engagement with the cylinder to lock it.

8. Look at the rear of the cylinder to make sure the empty chamber is in front of the hammer; if it is, close the loading gate so that it is again flush with the revolver frame. If the empty chamber is not in front of the hammer, draw hammer back into Half-Cock notch, realign the cylinder and repeat items 6 through 8 until empty chamber is locked in front of hammer.

### **Alternate Loading Sequence**

Follow "To Load" sequence except at Step 6 do this: After loading first round as in Steps 4 and 5, leave next chamber empty. Then load remaining 4 chambers. This will position the empty chamber under the hammer when you rotate the cylinder and again see the first chamber you loaded.

## CARRYING MODES

**NOTE:** This pistol may be carried in either of the following modes according to your needs:

Mode 1: — CYLINDER EMPTY

- Revolver cannot be discharged.
- Use Mode 1 for storage, transporting, cleaning, repair, demonstrating and dry practice.

Mode 2: — 5 CHAMBERS LOADED, WITH EMPTY CHAMBER UNDER HAMMER

- Revolver can be fired when hammer is cocked and trigger is squeezed.
- Use Mode 2 when you **MUST BE PREPARED** to use the revolver **IMMEDIATELY** without warning.



**WARNING:** When *you* squeeze the trigger, *you* must expect the gun to fire, and *you* must take full responsibility for firing it. *Your* care can avoid accidental discharge, and *you* will thereby avoid accidental injury and death.

## UNLOADING



**CAUTION:** ALWAYS UNLOAD YOUR REVOLVER IMMEDIATELY AFTER USE, AND PRIOR TO CLEANING AND STORAGE, to minimize the risk of accidental discharge.



**CAUTION: ALWAYS EXERCISE EXTREME CARE TO KEEP MUZZLE POINTING IN A SAFE DIRECTION, WELL CLEAR OF YOUR BODY, PARTICULARLY WHEN UNLOADING REVOLVERS THAT DO NOT HAVE EJECTOR RODS.**

1. Be sure you are familiar with Safety Instruction in Section 3. KEEP REVOLVER POINTING IN SAFE DIRECTION AND DO NOT TOUCH TRIGGER.
2. Draw hammer back to Half-Cock position. (The cylinder is now free to rotate clockwise).
3. Open loading gate.
4. KEEPING FINGERS AWAY FROM TRIGGER, align chamber as shown in Figure 6 and push ejector rod, (located under the barrel) backwards through cylinder chamber, forcing out the live round or empty case, which should be removed from revolver. Allow ejector rod to return forward under its spring action.
5. Rotate cylinder clockwise to align next chamber with ejector rod and repeat step 4 above; repeat until all chambers are empty.
6. Close loading gate.
7. With thumb firmly on hammer spur, draw hammer back slightly to disengage Half-Cock notch. Squeeze trigger only long enough to allow hammer to move forward and clear Half-Cock notch, then release trigger completely so that the hammer can be safely lowered to its fully down position.



8. Collect live ammunition for safe storage and empty cartridge cases for disposal.

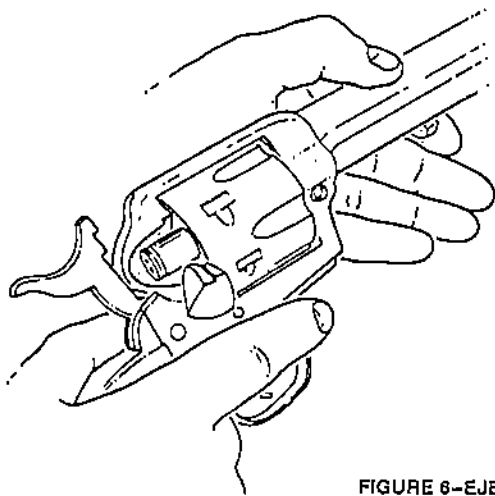


FIGURE 6-EJECTION

## **FIRING**

Before firing your Colt Single Action revolver, practice your stance, aim, rhythm and breathing for steady aim with your revolver UN-LOADED. Practice firing on a range before going hunting or using your revolver for any other type of shooting. If you have a dual cylinder revolver learn to allow for the customary variation in point of bullet impact with different caliber cylinders installed. Different ammunition may also affect performance.

**SAFETY DEPENDS ON YOU**



## CAUTIONS

1. ALWAYS WEAR AND ENCOURAGE OTHERS NEAR YOU TO WEAR EAR PROTECTION WHEN SHOOTING, especially on a range. Without ear protection, the noise from your revolver and other guns close to you could leave a "ringing" in the ears for some time after firing, while the cumulative long term effect could be permanent hearing loss.

2. ALWAYS WEAR AND ENCOURAGE OTHERS TO WEAR PROTECTIVE SHOOTING GLASSES. Flying particles could damage eyes and cause blindness; but protective shooting glasses should prevent such injury.



**WARNING:** When *you* squeeze the trigger, *you* must expect the gun to fire, and *you* must take full responsibility for firing it. *Your* care can avoid accidental discharge, and *you* will thereby avoid accidental injury and death.



### To Fire

1. **CAUTION:** READ SAFETY INSTRUCTIONS (Section 3)—KEEP REVOLVER POINTING IN SAFE DIRECTION AND DO NOT TOUCH THE TRIGGER.

2. Load revolver as previously described.

3. Grasp revolver by grip and, with index finger resting along the outside of trigger guard, DO NOT TOUCH TRIGGER. With your thumb firmly on hammer spur, draw hammer FULLY back (about an

inch and three quarters) to "cocked" position and allow hammer to go slightly forward until "cocked" notch is engaged. Remove thumb from hammer spur.

4. Take aim. (Aim by aligning target with front and rear sights. See Figure 7. Then focus on the front sight).

5. Keeping steady aim, place index finger on trigger and squeeze gently. Don't jerk the trigger as you will disturb your aim and spoil your accuracy.

6. Release trigger and remove index finger from trigger.

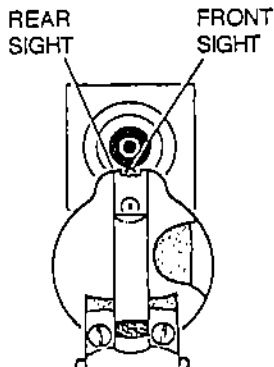


FIGURE 7—COLT SINGLE ACTION



**CAUTION:** IF YOUR FIREARM FAILS TO FIRE, HOLD IT, KEEPING IT POINTED TOWARDS THE TARGET OR SAFE OPEN AREA AND WAIT 30 SECONDS. If a hangfire (slow ignition) has occurred, round will fire within 30 seconds. If round does not fire, eject it and examine primer; If firing pin indent of primer is light, off center, or non-existent, unload remaining rounds and have revolver examined by a competent gunsmith. If firing pin indent on primer appears normal (In comparison with similar previously fired rounds) assume faulty ammunition; segregate misfired round from other live ammunition and empty cases, and carry on firing.

**NOTE:** Dispose of misfired rounds in accordance with the ammunition manufacturer's instructions.

7. To fire second and subsequent rounds, repeat steps 3 through 6 above.

8. **KEEP REVOLVER POINTING IN SAFE DIRECTION.** Unload revolver as previously described.



**CAUTION: NEVER LEAVE REVOLVER COCKED READY TO FIRE as this condition is EXTREMELY dangerous, and revolver could easily be accidentally discharged causing injury, death, or damage to property.**

**IMPORTANT:** If you cock your revolver but do not fire it, return hammer to the fully forward position by placing thumb firmly on hammer spur and draw hammer back slightly to disengage Cocked notch. Squeeze trigger only long enough to allow hammer to move forward and clear Cocked notch, then release trigger completely. Half-Cock notch will then be engaged and cylinder must be rotated until empty chamber is in front of hammer. Draw hammer back slightly to disengage Half-Cock notch. Squeeze trigger only long enough to allow hammer to move forward and clear Half-Cock notch, then release trigger completely so that if you lose the opportunity to fire, unload your revolver as previously described.

A Colt revolver, like any other precision mechanism, will function better and last longer when it is properly maintained. Follow the advice in this section to keep your revolver in peak condition.



**CAUTION: ENSURE THAT THE REVOLVER IS NOT LOADED BEFORE STRIPPING AND CLEANING**, so that it will not fire, and do not alter parts as the level of safety could be reduced.

### STRIPPING FOR CLEANING

1. Be sure you are familiar with "Safety Instructions" in Section 3. Draw hammer back to Half-Cock position.
3. Open loading gate.
4. Rotate cylinder and ensure all six chambers are empty.
5. Remove cylinder as follows:
  - a. Depress base pin retaining catch (located on left side of frame in front of cylinder).
  - b. Keeping base pin retaining catch depressed, pull base pin forward and remove it from revolver. Release retaining catch.

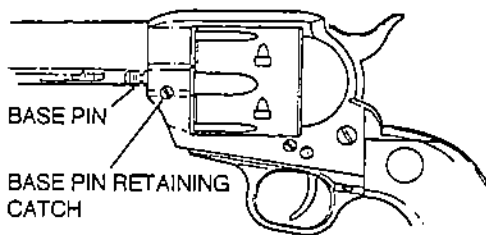


FIGURE 8—BASE PIN REMOVAL

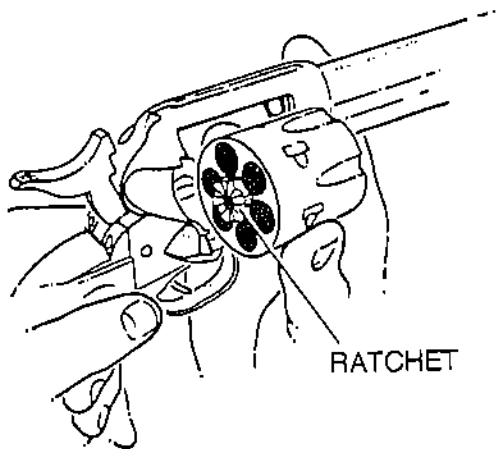


FIGURE 9—CYLINDER REMOVAL

c. Carefully remove cylinder to the right of frame and avoid contact between the ratchet and loading gate.

**IMPORTANT:** Do not strip your revolver further than removing the cylinder. If later additional maintenance is required see "Servicing and Repair" later in this instruction manual.

### **ASSEMBLING AFTER CLEANING**

**NOTE:** Assemble in reverse order. With hammer at Half-Cock carefully install the cylinder by rolling it into the frame from the right side. Install and secure the base pin. Check that the cylinder rotates freely. Lower hammer to safety position and close the gate.

## WHEN TO CLEAN

You should clean your revolver as soon after firing as possible so that the job will be easier and there will be less opportunity for corrosion to start. When your revolver has not been fired, clean it periodically; we suggest once or twice a year in a temperate climate, or as often as once a month in a tropical climate. If you carry a loaded revolver, UNLOAD it and clean it at least once a month. If you get your revolver wet, clean it as soon as possible.

## HOW TO CLEAN

The following cleaning procedure may be used both periodically and after firing; however, those items marked "\*" are unnecessary for periodic cleaning.

**Materials:** Cleaning rod, cotton flannel patches (cut to fit snugly into the bore), a small tooth-brush, good quality light gun oil, \*gun cleaning solution, and a brass wire bristle bore cleaning bush.

**NOTE:** In freezing conditions (below 32°F or 0°C) avoid the use of oil for lubrication; instead, apply a dry lubricant sparingly.

## CLEANING PROCEDURE



- 1. CAUTION: ENSURE THAT THE FIREARM IS NOT LOADED.**
2. Strip for cleaning as previously described.

**NOTE:** Avoid contact between cleaning rod and muzzle as resultant wear will reduce accuracy. Take care to avoid striking rear frame of

revolver as severe cases result in burring of the metal around firing pin hole which could contribute to eventual firing failures.

3. Attach cotton flannel patch to end of cleaning rod, insert it in muzzle and pass rod and patch down through barrel. Repeat, changing patches until last patch comes out clean.
4. Clean each of the six chambers in cylinder with similar method to step 3 above.
5. Visually inspect barrel and chambers; if they are clean, proceed directly to step 8, but if it remains dirty, continue with step 6.
6. **\*(NOTE: This item should be applicable only after firing).** Attach brass wire bristle brush to cleaning rod and dip brush in gun cleaning solution. Thoroughly scrub out barrel and cylinder chambers, passing the brush all the way through before reversing the movement. If you try to change direction with brush in barrel, the brush will stick.
7. Repeat steps 3, 4 and 5 above.
8. Clean rear face of barrel and revolver frame, using a small toothbrush.
9. Lightly moisten a flannel patch with gun oil and pass it once through the barrel, so leaving a thin film of oil on the inside surface. Leave this film of oil on the metal surface if revolver is to be stored.



If it is not to be stored, or if it is being removed from storage for use, pass a dry patch through barrel and chambers to remove as much oil as possible. (See note on cold weather lubrication).

10. Check that flannel or brush bristles have not become lodged in any part of revolver, then wipe all external surfaces with a flannel patch moistened with gun oil. (See note on cold weather lubrication).

11. Reassemble revolver. See "Assembling After Cleaning."

12. Again wipe external surfaces with oil moistened patch to remove any fingerprints. (Finger moisture, if left, could start a corrosion process). (See note on cold weather lubrication).

13. Remove any gun cleaning solution and oil from grip.

## **STORAGE**



**CAUTION: ALWAYS UNLOAD YOUR REVOLVER FOR STORAGE AND STORE AMMUNITION SEPARATELY.** Keep and store your revolver and ammunition securely locked in separate locations out of reach and sight of children. (Children are naturally curious and do not always believe the real danger of guns).

**NOTE:** Do not store your revolver in an air-tight container, and do not seal or attempt to seal the barrel or chambers to exclude dust, as the internal steel surfaces are more likely to corrode.

## SERVICING AND REPAIR

Should your revolver require adjustment, or repair, make sure it is NOT loaded and send it to Colt's. For spare parts, seek advice from the Dealer who should have up to date information on how best to obtain genuine Colt parts.

An illustration and list of part names are included in the next section of this instruction manual to help you identify the part you need, but it is important to note that all parts are not available for sale. Those parts which are available should be installed by Colt's or a competent gunsmith. When ordering parts, please give part name as given on the Parts List. Also give the caliber, model name, serial number and metal finish of your revolver, i.e., whether blue, nickel or stainless steel.

**IMPORTANT:** If you make unauthorized adjustments or use unauthorized parts, Colt will not assume responsibility for the functioning of this revolver.

THIS GUN IS MANUFACTURED TO PERFORM PROPERLY WITH THE ORIGINAL PARTS AS DESIGNED. IT IS YOUR DUTY TO MAKE SURE ANY PARTS YOU BUY ARE INSTALLED CORRECTLY AND THAT NEITHER REPLACEMENTS NOR ORIGINALS ARE ALTERED OR CHANGED. This is why we say return it to Colt's. YOUR GUN IS A COMPLEX TOOL WITH MANY PARTS THAT MUST RELATE CORRECTLY TO OTHER PARTS. PUTTING A GUN TOGETHER WRONG OR WITH MODIFIED PARTS CAN RESULT IN A DAMAGED GUN, DANGER, AND INJURY OR DEATH TO YOU AND OTHERS THROUGH MALFUNCTION. ALWAYS LET A QUALIFIED GUNSMITH WORK ON YOUR GUN AND CHECK ANY WORK YOU THINK WAS NOT PERFORMED BY A GUNSMITH. We at Colt think this is a small price to pay for firearms safety.

**NOTE:** Various Federal and State laws and local ordinances govern the transfer and transportation of firearms, so take the advice of the Dealer in your state on how to send your firearm to Colt's. Before shipping your revolver, here are some important points to remember:



- 1. CAUTION: MAKE SURE THAT THE FIREARM IS NOT LOADED.**
2. Write a letter explaining the problem and your requirements in as much detail as possible. Include the model name and serial number of your revolver together with your return address, then enclose it with the gun in a well padded package.
3. Do not send presentation boxes, accessories or ammunition.
4. Colt's address for receiving packages is: CMC1  
Talcott Road  
West Hartford, CT 06110
5. Do not indicate the contents, or include "COLT" in the address on the package so that an inquisitive thief is not attracted to it by such information.
6. Insure the package contents against loss or theft.
7. **DO NOT** ship your revolver if you cannot read its serial number. Federal law requires that serial numbers be legible for transfer to be legal. To find your serial number, turn revolver upsidedown and look at the bottom of the frame just in front of the trigger guard.

This section is provided so that you may identify names of parts for your own interest. However, for adjustment, repair or spare parts information, see Section 5 "Servicing and Repair."

See page 40 for illustration.

See page 41 for names of parts.

The Colt "Cowboy" revolver incorporates a transfer bar safety system manufactured under license from Sturm, Ruger & Company, Inc.

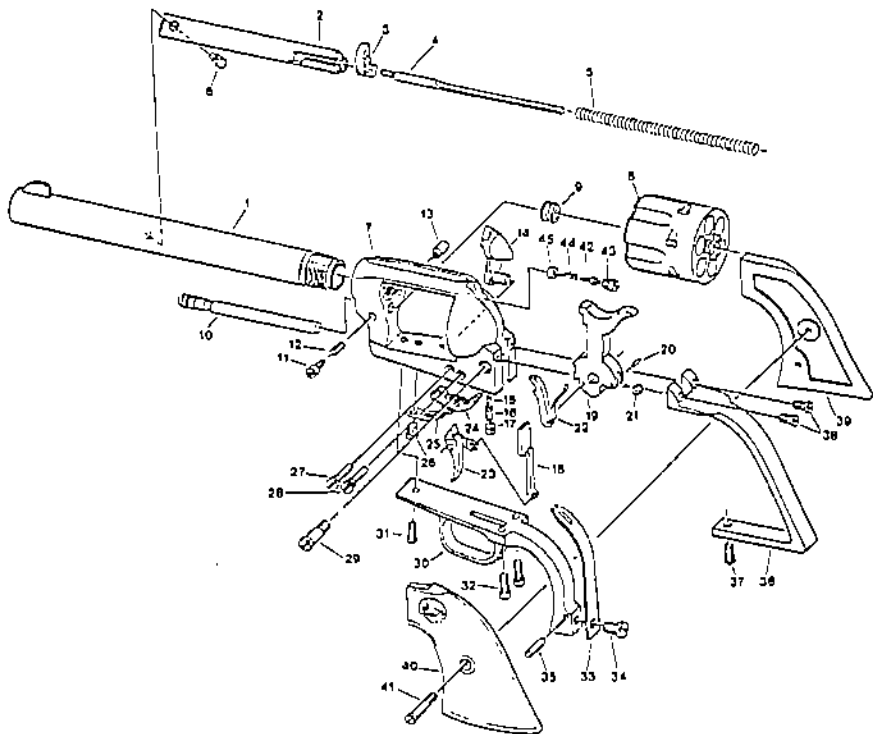


Figure 9—Colt Single Action Revolver—Parts Illustration.

## DESCRIPTION

- |                        |                                   |                                  |
|------------------------|-----------------------------------|----------------------------------|
| 1. Barrel              | 17. Gate Catch Screw              | 32. Rear Guard Screw (2)         |
| 2. Ejector Tube        | 18. Transfer Bar                  | 33. Main Spring                  |
| 3. Ejector Head        | 19. Hammer Assembly               | 34. Main Spring Screw            |
| 4. Ejector Rod         | 20. Hammer Roll Pin               | 35. Stock Pin                    |
| 5. Ejector Spring      | 21. Hammer Roll                   | 36. Backstrap                    |
| 6. Ejector Tube Screw  | 22. Hand                          | 37. Backstrap Lower Screw        |
| 7. Frame               | 23. Trigger                       | 38. Backstrap Screw (2)          |
| 8. Cylinder            | 24. Bolt                          | 39. Stock Left<br>(set with #42) |
| 9. Cylinder Spacer     | 25. Sear and Bolt Spring          | 40. Stock Right                  |
| 10. Base Pin           | 26. Sear and Bolt<br>Spring Screw | 41. Stock Screw                  |
| 11. Base Pin Screw     | 27. Bolt Screw                    | 42. Firing Pin                   |
| 12. Base Pin Spring    | 28. Trigger Screw                 | 43. Firing Pin Retainer          |
| 13. Base Pin Screw Nut | 29. Hammer Screw                  | 44. Firing Pin Spring            |
| 14. Gate               | 30. Trigger Guard                 | 45. Firing Pin Spacer            |
| 15. Gate Catch         | 31. Front Guard Screw             |                                  |
| 16. Gate Spring        |                                   |                                  |

**NOTE:** The screws have a special coating to prevent them from vibrating loose. If disassembled a number of times it may be desirable to replace them with new ones to prevent loosening during firing.

Our Colt Custom Shop offers a wide range of special services such as engraving, inlaying and special serializing to the same high standard of quality long synonymous with the name "COLT." Sometimes modifications, which meet our customer's special requirements, necessitate deviations from standard design and manufacturing tolerances which result in functional differences from a standard gun. Consequently, this instruction manual does not apply to a customized gun unless its applicability has been confirmed by the Colt Custom Shop. For further information, write to Colt's Manufacturing Company, Inc., Custom Gun Shop, P.O. Box 1868, Hartford, Connecticut 06144-1868, USA.



## **FIREARM RECORD**

Colt Model \_\_\_\_\_

Serial No. \_\_\_\_\_

Caliber \_\_\_\_\_

Purchased  
from \_\_\_\_\_

Date  
Purchased \_\_\_\_\_

Purchase  
Price \_\_\_\_\_

## **WARRANTY STATEMENT**

Based on Magnuson-Moss Warranty Act, Colt offers no express warranty on its product line. However, Colt recognizes its obligations concerning implied warranty. Colt also stands behind its products as it has historically, and will continue to provide services to its product line as it has over the years. Colt products will be serviced for a period of one year from the date of retail purchase, for defects in materials or workmanship, at no charge to the purchaser. Be sure to retain your sales slip as proof of purchase date when making a claim.



## **HEALTH AND ENVIRONMENTAL WARNING**

Discharging firearms in poorly ventilated areas, cleaning firearms, or handling ammunition may result in exposure to lead and other substances known to cause birth defects, reproductive harm, cancer, and other serious physical injury. Have adequate ventilation at all times. Wash hands thoroughly after exposure.

If your instruction manual becomes lost or destroyed, obtain a replacement by writing to **Colt's Manufacturing Company, Inc., Box 1868, Hartford, Connecticut 06144-1868, USA** or call **1-800-962-COLT**. Make a note of the address. When requesting a manual, include the information which is on the left side of your firearm together with its serial number or quote the Part No. as shown on the back cover of this manual.



, the Rampant Colt figure, New Frontier® and all other Colt trademarks are the exclusive property of Colt's Manufacturing Company, Inc. For permission to reprint for noncommercial instructional purposes, prior approval from Colt's is required.

This instruction manual should always accompany this firearm. When you lend, give or sell this firearm, be sure this manual goes with it.



**Avvertimento Italiano**

Se c'è qualcosa che non riuscite a capire, rivolgetevi a qualcuno che sia qualificato nel maneggiare in maniera sicura le armi da fuoco.

**Advertencia en Español**

Para cualquier aclaración de esta manual, consulte con alguna persona perita en el manejo seguro de armas de fuego.

**Message Seculaire en Français**

Pour tous renseignements complémentaires, veuillez consulter un armurier qualifié dans le maniement de ces armes.

**Deutsche Sicherheitshinweise**

Sollten Sie noch weitere Fragen haben, wenden Sie sich bitte an einen Waffenspezialisten.

**FUNDAMENTAL NRA RULES FOR SAFE GUN HANDLING**

1. ALWAYS KEEP THE GUN POINTED IN A SAFE DIRECTION.
2. ALWAYS KEEP YOUR FINGER OFF THE TRIGGER UNTIL READY TO SHOOT.
3. ALWAYS KEEP THE GUN UNLOADED UNTIL READY TO USE.

**Part No. 96170**